

FREELAND

®

Industries, Inc.

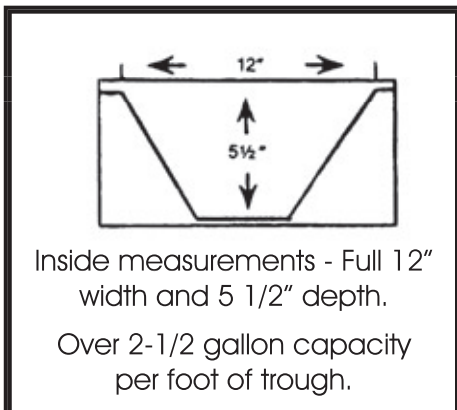
P. O. Box 59 • Portage, WI 53901
(608) 742-2189

**Innovative
Reliable
Products for the
farm, garden and
home since
1909**

GALVANIZED HOG TROUGH



**LOOK! We have a size to
fit your needs.**



SPECIFICATIONS

Model no.	Length	Weight
#F142	2 Ft.	16#
#F144	4 Ft.	26#
#F146	6 Ft.	36#
#F148	8 Ft.	47#
#F1410	10 Ft.	58#
#F1412	12 Ft.	69#